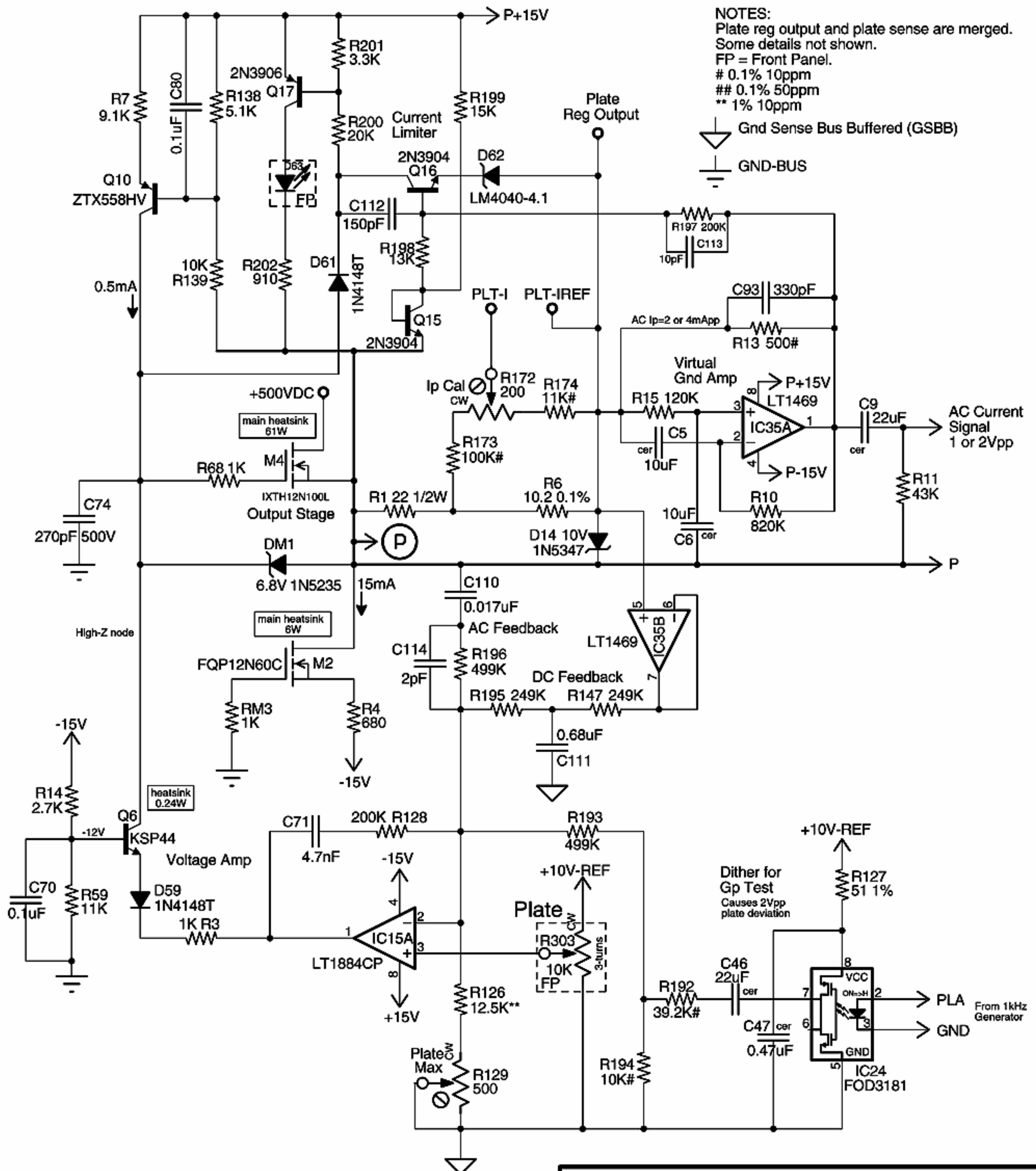


VTA Plate Regulator and VGamp Concept



VTA Plate Regulator and VG Redraw

S. Lafferty, Rev.1, 11/2/17